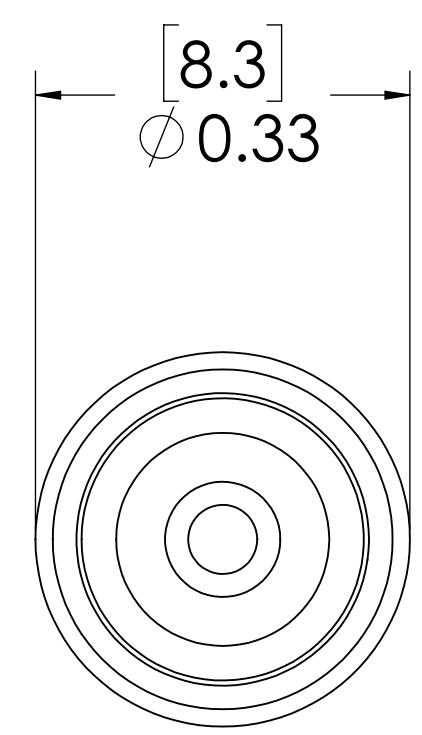
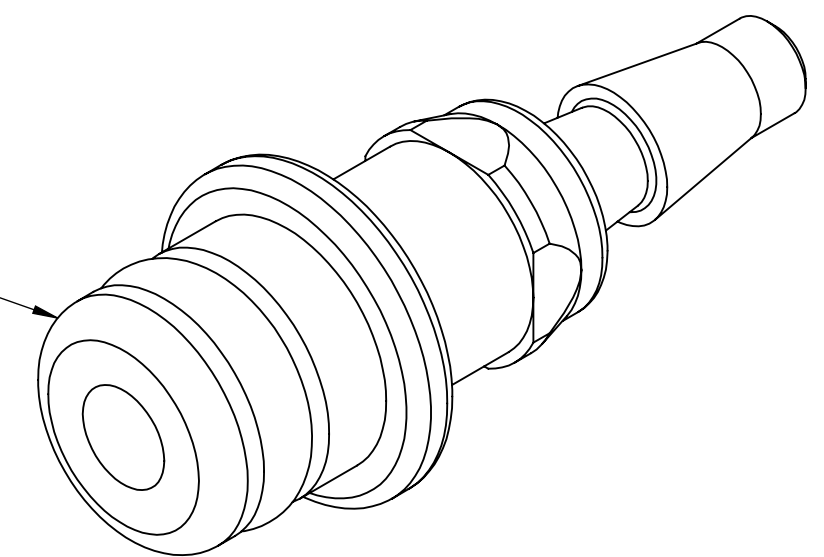
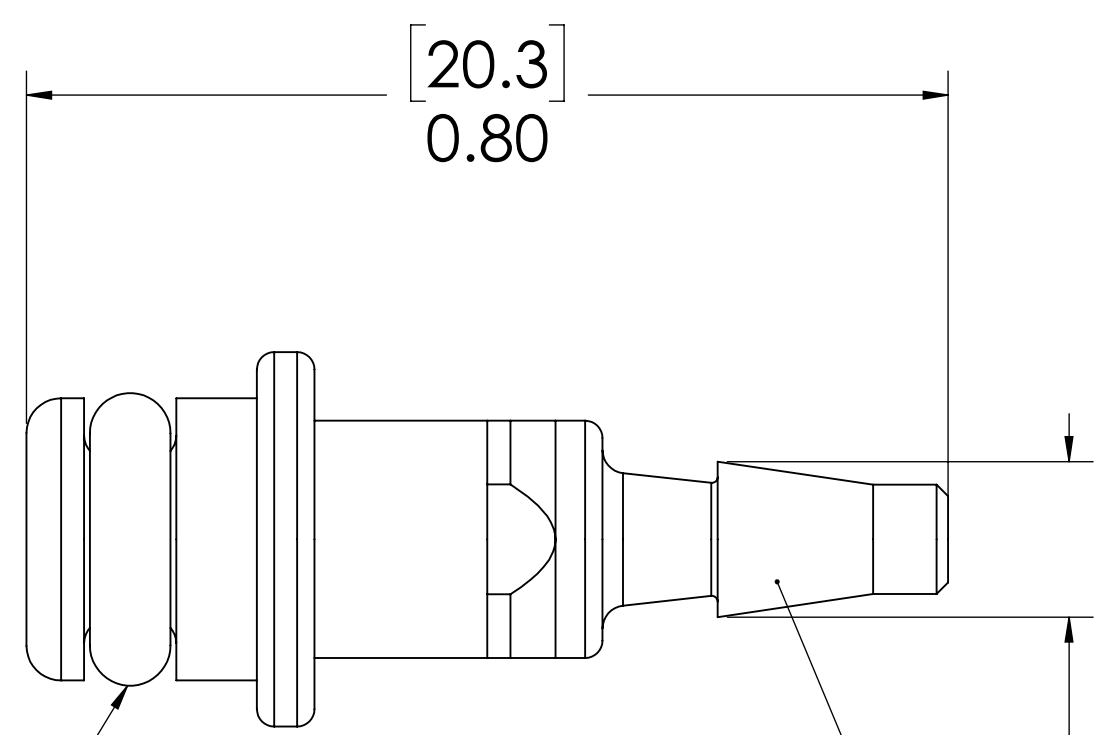


REVISIONS						
SHEET	ZONE	REV.	ECO	DESCRIPTION	DATE	APPROVED
ALL	ALL	A	50253	INITIAL RELEASE	3/29/2019	HRC

**PLUG,  
(POLYPROPYLENE)**



**O-RING  
(EPDM)**



3.4  
Ø 0.14

**3MM TUBE ID**

**NOTES:**

1. MATERIAL: POLYPROPYLENE
2. COLOR: ALMOND, BARREL ACETAL.
3. O-RING MATERIAL: EPDM
4. O-RINGS LUBRICATED WITH FOOD GRADE SILICONE OIL, 350 CST.

**FOR REFERENCE ONLY**

<small>UNLESS OTHERWISE SPECIFIED: DIMENSIONS ARE IN INCHES TOLERANCES: FRACTIONAL ± 1/32 ANGULAR, MACH ± 0.5 BEND ± 2 ONE PLACE DECIMAL ± 0.1 TWO PLACE DECIMAL ± 0.01 THREE PLACE DECIMAL ± 0.005 TWO PLACE DUAL (mm) [± 0.12]</small>	DRAWN	RDA	3/20/2019	
	CHECKED	HRC	3/20/2019	
	ENG APPR.	HRC	3/29/2019	
	MFG APPR.	BDB	3/29/2019	
<small>PROPRIETARY AND CONFIDENTIAL THE INFORMATION CONTAINED IN THIS DRAWING IS THE SOLE PROPERTY OF LINKTECH LLC. ANY REPRODUCTION OR DISCLOSURE IN PART OR AS A WHOLE WITHOUT THE WRITTEN PERMISSION OF LINKTECH LLC IS STRICTLY PROHIBITED.</small>	Q.A.	BDB	3/29/2019	<b>PART NO:</b> 10PP-PE2-M3NS  <b>DESCRIPTION:</b> LinkTech 10PP Series Straight Male, Non-valved, 3mm HB, No Sleeve, Polypropylene
<small>COMMENTS:</small>				<b>SIZE DWG. NO.</b> <b>C 10PP100041</b>
<small>SCALE: NTS WEIGHT:</small>			<b>REV</b> <b>A</b>	<small>SHEET 1 OF 1</small>